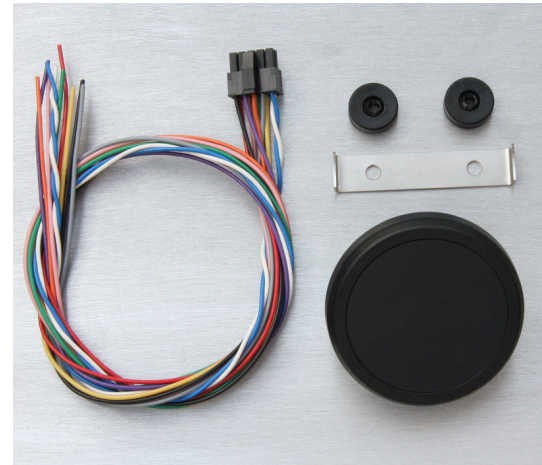


DC4D 52 Data Sheet



MAIN FEATURES

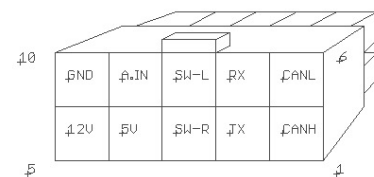
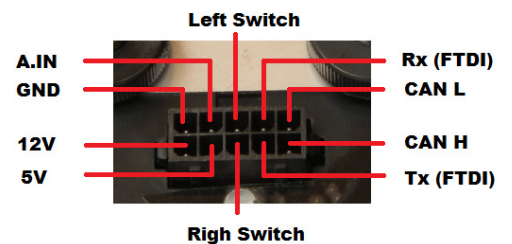
- Mounting:** Standard 52mm gauge
- Display:** 4 digits 0,39" height
- Bargraph:** 16 high brightness leds with 4 color zone
- Brightness:** Automatic or manual ajustement
- Touchscreen:** Two capacitive zone for setup menu.
- Typical application:**
 - Richness displaying from DigiLSU or LSU49-5V
 - Displaying values from CAN bus
 - Displaying value from analogue sensor (linear or not).



Configuration: Free software (cable sold separately).

ELECTRICAL CHARACTERISTIQUES :

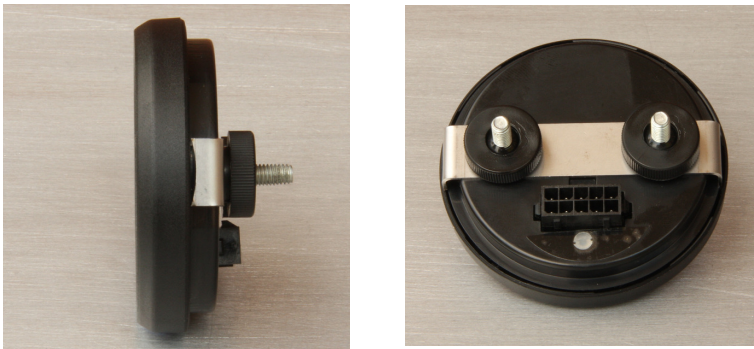
- Power supply:** de 7 à 16V
- Consumption :** 250mA maxi
- Temperature use :** -20°C à 60°C
- Analog input :** 0 à 5V
- 5V ouput:** +/-5% max current 50mA
- CAN resistance:** 2kOhm
- CAN Protocol:** 2.0A et 2.0B



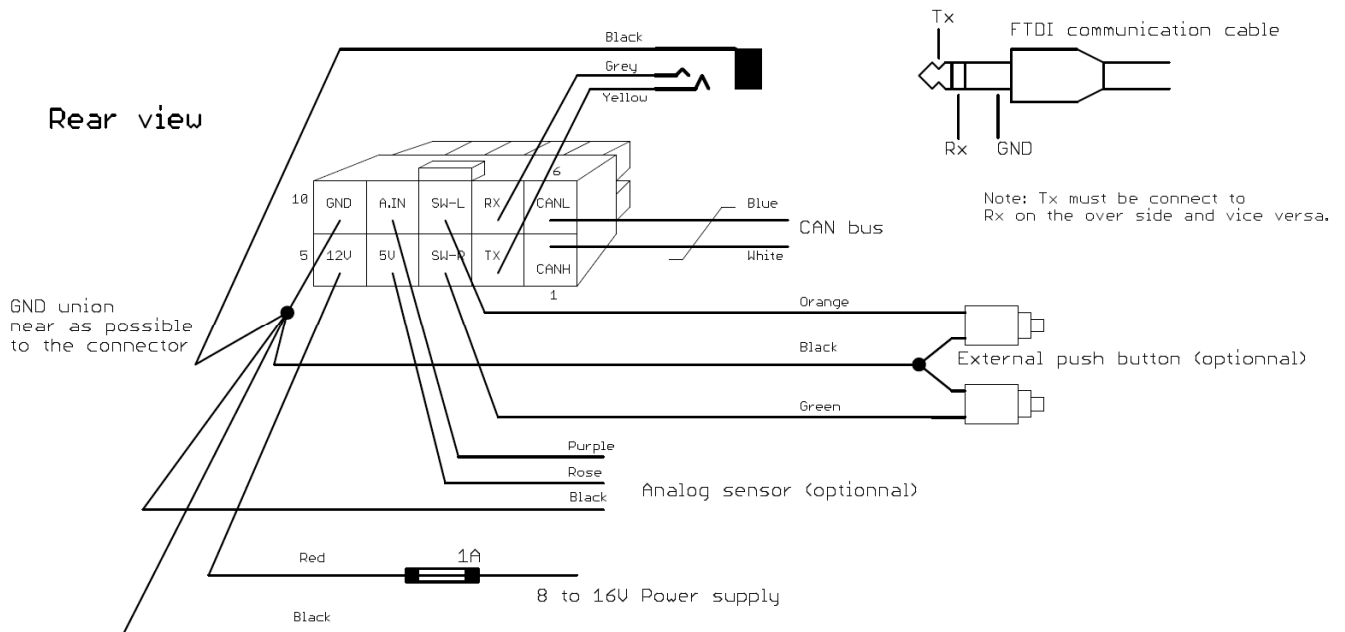
rear side connector view

MECHANICAL CHARACTERISTICS

- Front :** Smoked 4mm thickness Plexiglas.
- Enclosure :** Molded black ABS
- Dimensions:** Diameter 60mm; height 29mm (include screws)
- Weight :** 50 g
- Main installation hole:** 52mm minimum.
- Max panel mount thickness :** 8mm
- Fixing :** Rear bracket with two M4 plastic nuts.
- No finished loom:** Connector with ten 0.35mm² and 50cm long cables.
- Connector :** TE micro Mate'n'lock 10 contacts
 - Ref connector loom: 1-794617-0 (Farnell: 111-1091)
 - Ref contacts: 794610-1 (Farnell: 111-1151)
- IP :** IP63 on the front (exception for jack connector)
IP40 on the back



ELECTRICAL CONNECTION



Note: Display Rx must be connected to FTDI Tx and Display Tx to FTDI Rx.